

GENERAL

- | | | | |
|--|--|--|---|
| <input type="checkbox"/> TOP LATCH | <input checked="" type="checkbox"/> INTERNAL DRIVE | <input type="checkbox"/> LIGHTNING ARRESTOR | <input checked="" type="checkbox"/> ONE CIRCUIT |
| <input checked="" type="checkbox"/> BOTTOM LATCH | | <input type="checkbox"/> AIR TERMINAL | <input type="checkbox"/> TWO CIRCUIT |
| <input type="checkbox"/> EXTERNAL DRIVE | | <input type="checkbox"/> FAA OBSTRUCTION LIGHT | <input type="checkbox"/> THREE CIRCUIT |

04 HEAD FRAME

- | | | | |
|--|--|--|---|
| WELDMENT: | <input checked="" type="checkbox"/> GALVANIZED (STD) | <input type="checkbox"/> STAINLESS STEEL | <input type="checkbox"/> PAINTED |
| MOUNT: | <input type="checkbox"/> TOP PLATE | <input type="checkbox"/> SLIP FITTER | |
| HOIST SHEAVES: | <input checked="" type="checkbox"/> ALUMINUM (STD) | <input type="checkbox"/> STAINLESS STEEL | <input type="checkbox"/> CAD PLATED STEEL |
| CORD SHEAVE: | <input checked="" type="checkbox"/> PLASTIC (STD.) | <input type="checkbox"/> ALUMINUM | <input type="checkbox"/> STAINLESS STEEL |
| FASTENERS: | <input checked="" type="checkbox"/> STAINLESS STEEL | | |
| S.S. CABLE: | <input checked="" type="checkbox"/> 3/16" | <input type="checkbox"/> 1/4" | <input type="checkbox"/> 5/16" <input type="checkbox"/> OTHER |
| <input type="checkbox"/> TOP LATCH | | | |
| LATCH CAM: | <input type="checkbox"/> STAINLESS STEEL | <input type="checkbox"/> ALUMINUM | |
| <input checked="" type="checkbox"/> BOTTOM LATCH | | | |
| GUIDE BLOCK: | <input checked="" type="checkbox"/> STAINLESS STEEL | <input type="checkbox"/> ALUMINUM | |

ISSUED FOR APPROVAL

APPROVED: _____

REVISE: _____

SIGNED COPY REQUIRED PRIOR TO MANUFACTURE

05 LUMINAIRE RING

- | | | | |
|------------------------------------|---|--|--|
| WELDMENT: | <input checked="" type="checkbox"/> GALVANIZED (STD) | <input type="checkbox"/> STAINLESS STEEL | <input type="checkbox"/> PAINTED |
| ROLLERS: | <input type="checkbox"/> SPRING ARM | <input checked="" type="checkbox"/> FIXED | <input type="checkbox"/> BUMPER |
| <input type="checkbox"/> TOP LATCH | | <input checked="" type="checkbox"/> BOTTOM LATCH | |
| LATCH SHAFT: | <input type="checkbox"/> STAINLESS STEEL | GUIDE SHAFT: | <input checked="" type="checkbox"/> STAINLESS STEEL |
| JUNCTION BOX: | <input checked="" type="checkbox"/> STD. (NEMA 3R ALUMINUM) | <input type="checkbox"/> STAINLESS STEEL | <input type="checkbox"/> OTHER |
| SUSPENSION SPRING: | <input checked="" type="checkbox"/> STD. | <input type="checkbox"/> STAINLESS STEEL | |
| PLUNGER: | <input checked="" type="checkbox"/> STD. | <input type="checkbox"/> STAINLESS STEEL | |
| THRUST WASHER: | <input checked="" type="checkbox"/> STD. | <input type="checkbox"/> STAINLESS STEEL | |
| STRAND VICE: | <input checked="" type="checkbox"/> STD. | <input type="checkbox"/> STAINLESS STEEL | <input checked="" type="checkbox"/> 3/16" <input type="checkbox"/> 1/4" <input type="checkbox"/> 5/16" |

COMMENTS: _____

08 ELECTRICAL

- 120V 1 PHASE-3 WIRE 60Hz
- 120/240 3 PHASE-5 WIRE 60Hz
- 208 1 PHASE-3 WIRE 60Hz
- 208 3 PHASE-4 WIRE 60Hz
- 240 1 PHASE-3 WIRE 60Hz
- 120/240 1 PHASE-4 WIRE 60Hz
- 240/480 1 PHASE-4 WIRE 60Hz
- 277 1 PHASE-3 WIRE 60Hz
- 277/480 3 PHASE-5 WIRE 60Hz
- 480 1 PHASE-3 WIRE 60Hz
- 480 3 PHASE-4 WIRE 60Hz
- 220 1 PHASE-3 WIRE 60Hz
- 347 1 PHASE-3 WIRE 60Hz
- 347/600 3 PHASE-5 WIRE 60Hz
- 220 1 PHASE-3 WIRE 50Hz
- 240 1 PHASE-3 WIRE 50Hz
- 240/415 3 PHASE-5 WIRE 50Hz
- 220/380 3 PHASE-5 WIRE 50Hz
- OTHER

06 TRANSITION ASSEMBLY

- STANDARD OTHER

COMMENTS:

07 WINCH PLATE

- | | | | |
|----------------|--|---|---|
| DRIVE: | <input checked="" type="checkbox"/> INTERNAL | <input type="checkbox"/> EXTERNAL | |
| | <input checked="" type="checkbox"/> 1.5 HP (STD) | <input type="checkbox"/> PORTABLE DRIVE UNIT | |
| | <input type="checkbox"/> 2.0 HP (HD) | <input type="checkbox"/> TRANSFORMER | |
| | | <input type="checkbox"/> MOBILE DRIVE CART | |
| TORQUE TENDER: | <input checked="" type="checkbox"/> TT3 (STD) | <input type="checkbox"/> TT3X | <input type="checkbox"/> TT4 <input type="checkbox"/> OTHER |
| WINCH: | <input checked="" type="checkbox"/> PG-3 | <input type="checkbox"/> PG-7 | |
| S.S. CABLE: | <input checked="" type="checkbox"/> 1/4" | <input type="checkbox"/> 5/16" <input type="checkbox"/> 3/8" <input type="checkbox"/> OTHER | |

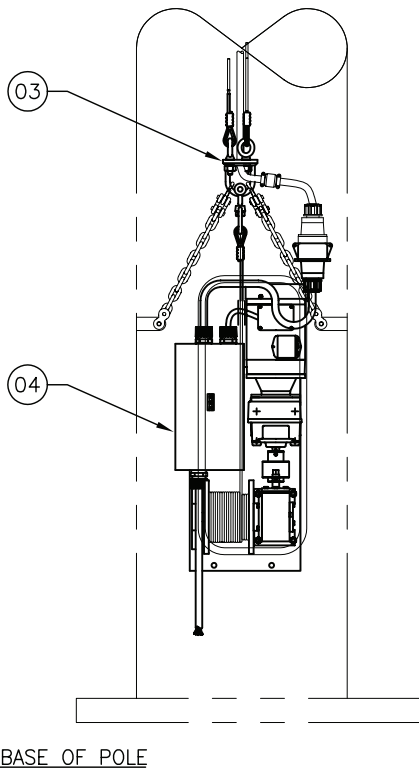
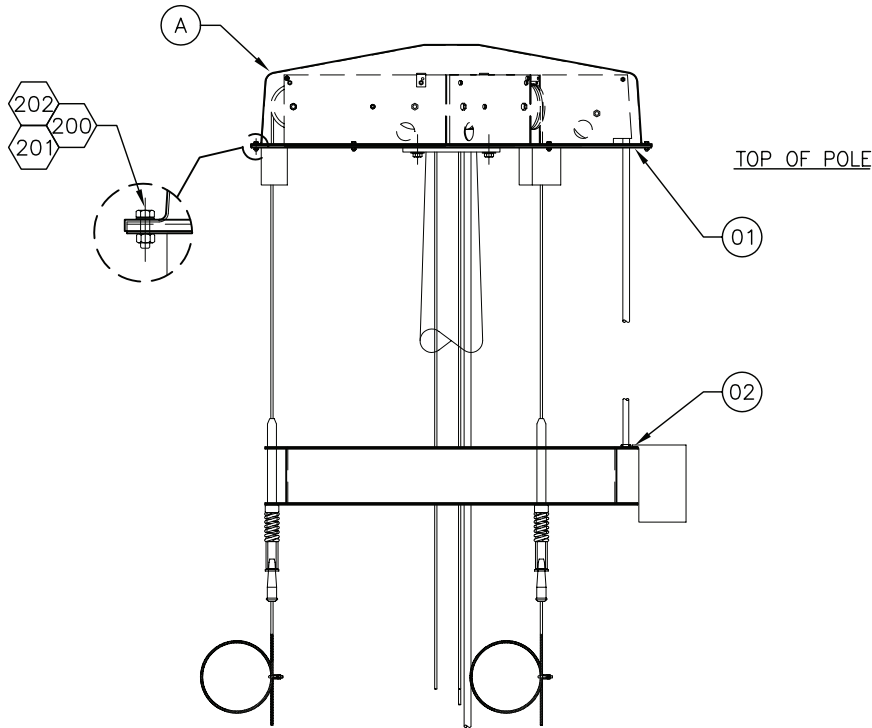
COMMENTS: _____

SHEET
01

PROVISIONS SHEET

DWG. NO.	427-2-01
DATE:	09/26/05
REV. DATE	

CHM
LIGHTING
A Division of CHM Industries
682-286-0046



ISSUED FOR APPROVAL

APPROVED: _____

REVISE: _____

SIGNED COPY REQUIRED PRIOR TO MANUFACTURE

202	6	S.S. FLAT WASHER
201	6	1/4-20 S.S. NYLOCK NUT
200	6	1/4-20 X 1" S.S. BOLT
05	1	ALUMINUM DOME
04	1	WINCH PLATE ASSEMBLY
03	1	TRANSITION ASSEMBLY
02	1	RING ASSEMBLY
01	1	HEAD FRAME ASSEMBLY
ITM	QTY	DESCRIPTION

SHEET
02

GENERAL ASSEMBLY

DWG. NO.

427-2-02

DATE:

09/26/05

REV. DATE



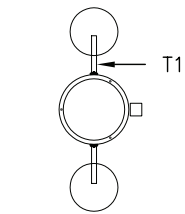
A Division of CHM Industries
682-286-0046

ISSUED FOR APPROVAL

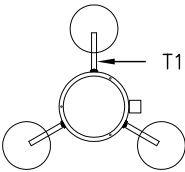
APPROVED: _____

REVISE: _____

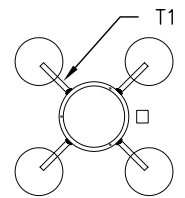
SIGNED COPY REQUIRED PRIOR TO MANUFACTURE



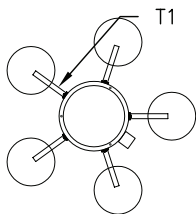
2-FIXTURE



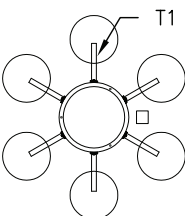
3-FIXTURE



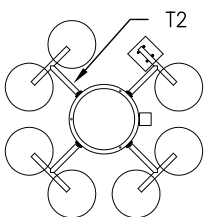
4-FIXTURE



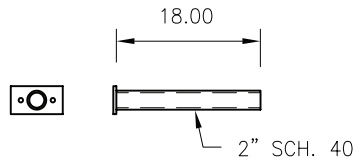
5-FIXTURE



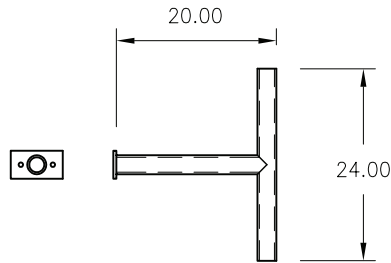
6-FIXTURE



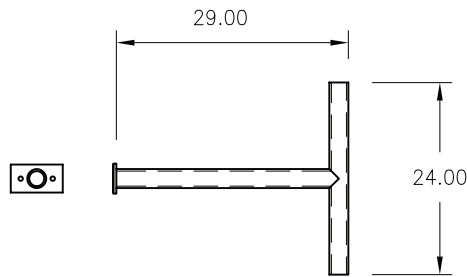
7-FIXTURE



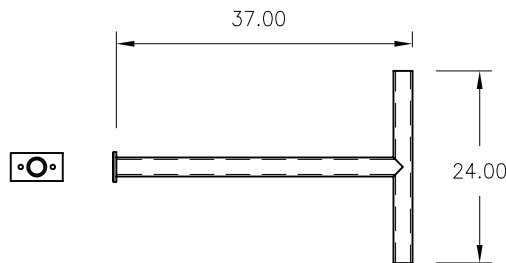
TENON T-1



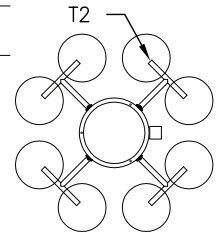
TENON T-2



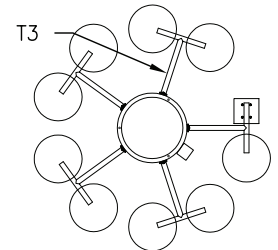
TENON T-3



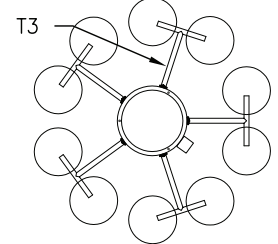
TENON T-4



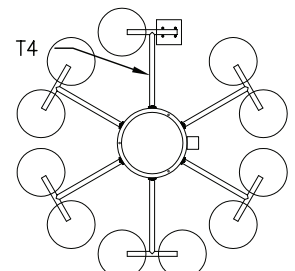
8-FIXTURE



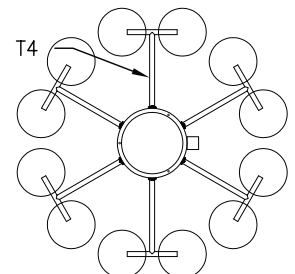
9-FIXTURE



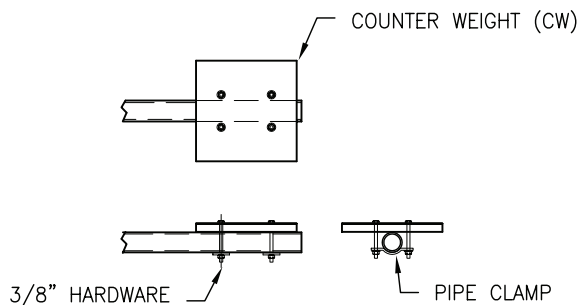
10-FIXTURE



11-FIXTURE



12-FIXTURE



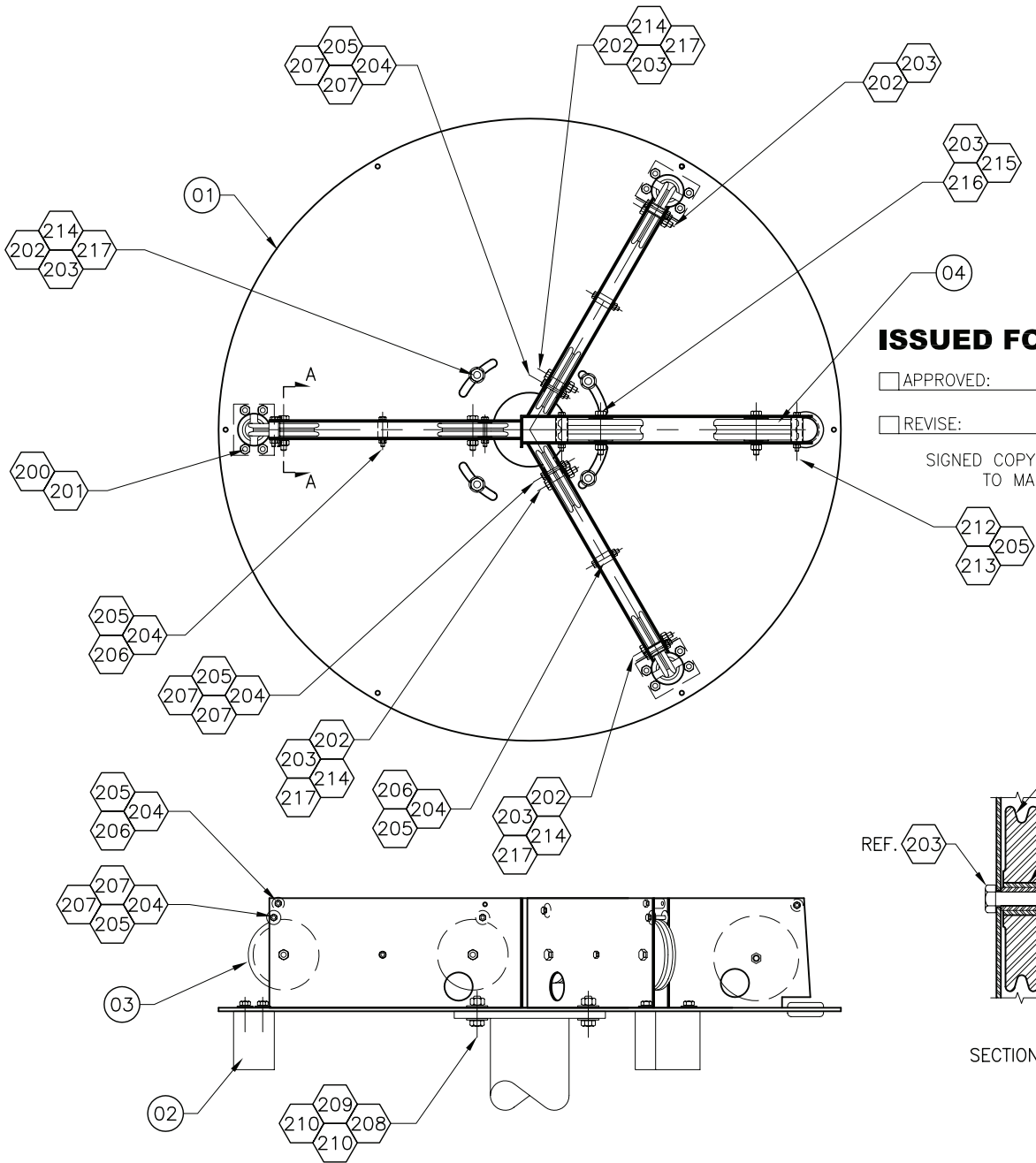
COUNTER WEIGHT DETAIL

SHEET
03

FIXTURE ARRAY DRAWING

DWG. NO.	427-2-03
DATE:	09/26/05
REV.	

CHM
LIGHTING
A Division of CHM Industries
682-286-0046

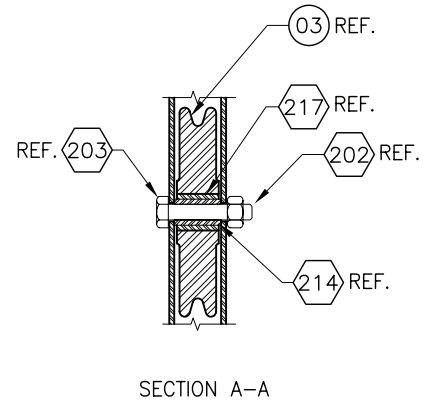


ISSUED FOR APPROVAL

APPROVED: _____

REVISE: _____

SIGNED COPY REQUIRED PRIOR TO MANUFACTURE



210	8	1/2" S.S. FLAT WASHER			
209	4	1/2-16 S.S. LOCK NUT			
208	10	1/2" S.S. FLAT WASHER			
207	12	1/4" X 1 1/4" FLAT FENDER WASHER			
206	6	1/2" SCH. 40 X 1 1/8" LONG TUBE SPACER			
205	13	1/4-20 S.S. LOCK NUT			
204	13	1/4-20 X 1 3/4 S.S. HH SHOULDER BOLT			
203	8	3/8-16 S.S. LOCK NUT			
202	8	3/8-16 X 2" S.S. HH SHOULDER BOLT			
201	12	3/8" S.S. LOCK NUT	217	6	3/4" OD X 5/8" ID BRONZE BUSHING
200	12	3/8-16 X 1" S.S. HH BOLT	216	2	3/8-16 X 2 3/4" S.S. HH SHOULDER BOLT
100	1	PLASTIC BUSHING	215	2	1 3/4" LONG S.S. PULLEY AXLE
04	2	CORD SHEAVE	214	6	1 1/8" LONG S.S. PULLEY AXLE
03	6	WIRE ROPE SHEAVE	213	2	1/4-20 X 2 1/2" SS HH SHOULDER BOLT
02	3	ALUMINUM GUIDE BLOCK	212	2	1/2" SCH. 40 X 1 3/4" LONG TUBE SPACER
01	1	HEADFRAME WELDMENT ASSEMBLY	211		NOT USED
ITM	QTY	DISCRIPTION			

SHEET

04

HEAD FRAME ASSEMBLY

DWG. NO.

427-2-04

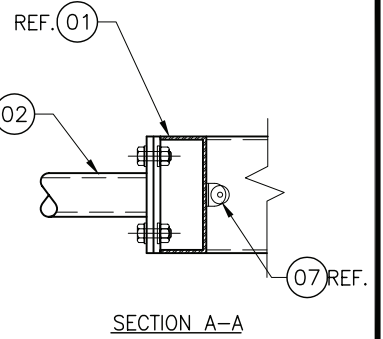
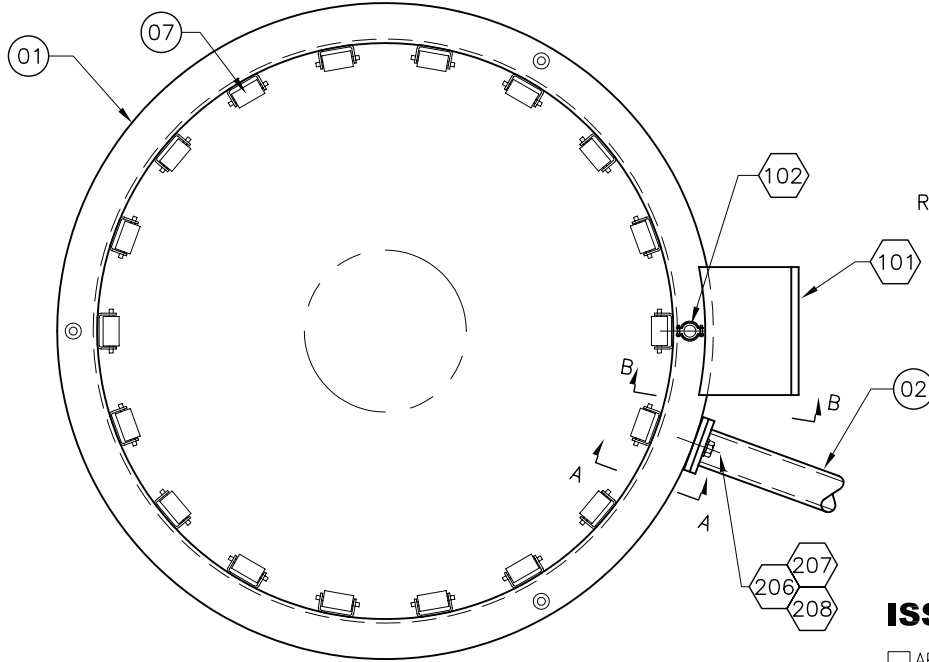
DATE:

09/26/05

REV. DATE



A Division of CHM Industries
682-286-0046

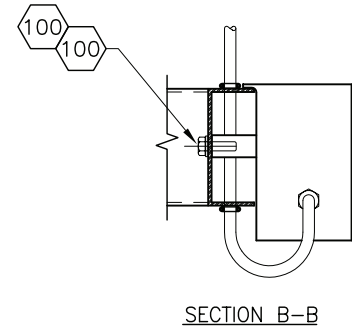
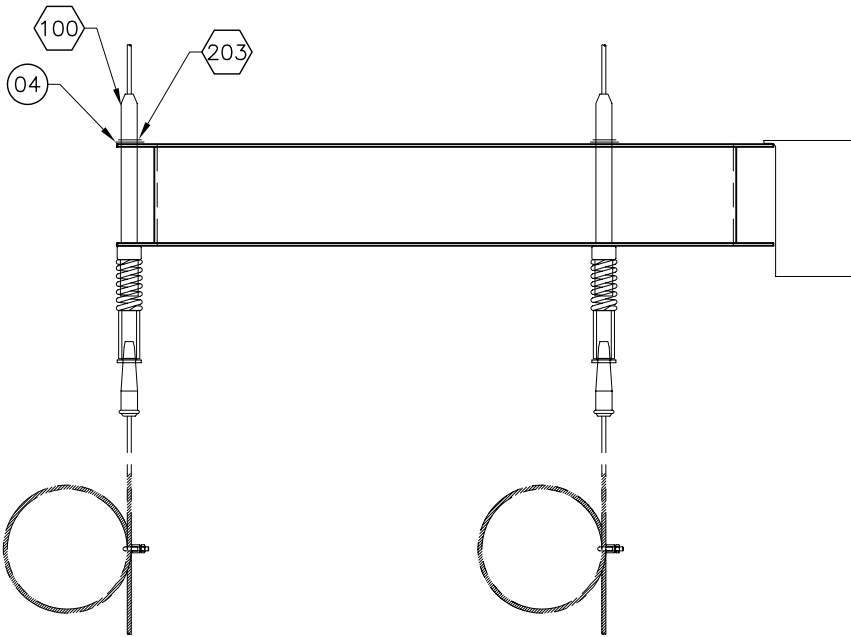


ISSUED FOR APPROVAL

APPROVED: _____

REVISE: _____

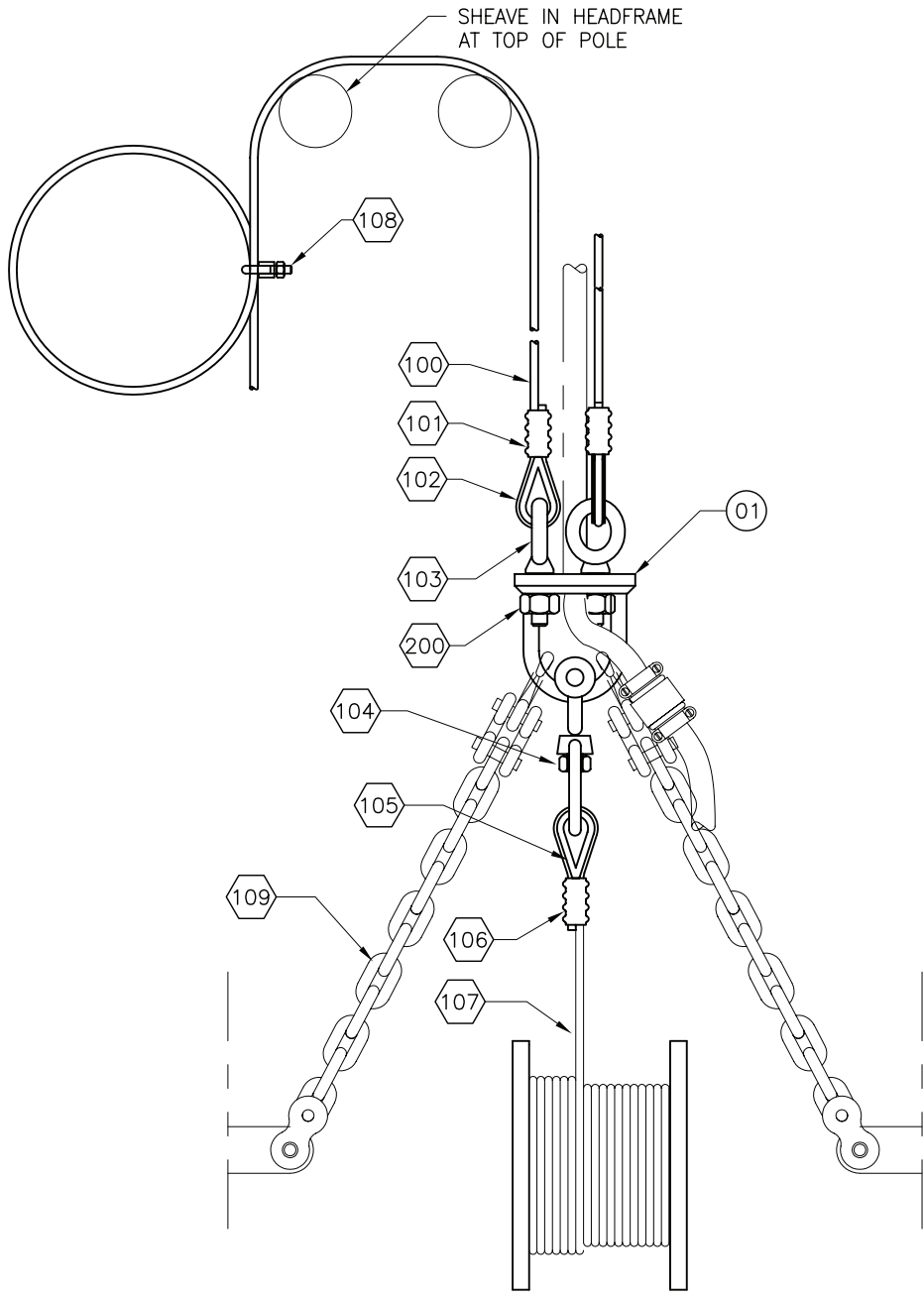
SIGNED COPY REQUIRED PRIOR TO MANUFACTURE



205	3	S.S. LOCK WASHER
204	2	3/8-16 X 1" S.S. HH BOLT
203	3	S.S. "E" RETAINING CLIP
202	VAR	1/2-13 S.S. FLAT WASHER
201	VAR	1/2-13 S.S. LOCK NUT
200	VAR	1/2-13 X 1 1/2 S.S. HH BOLT
101	1	CORD CLAMP
100	1	JUNCTION BOX
06	3	CUSTOM WASHER
05	3	S.S. GUIDE SHAFT
04	14	FIXED ROLLER ASSEMBLY
03	3	INDICATOR FLAG ASSEMBLY
02	VAR	TENON WELDMENT
01	1	RING WELDMENT
ITM	QTY	DESCRIPTION

SHEET 05	RING ASSEMBLY	DWG. NO.	427-2-05
		DATE:	09/26/05
		REV. DATE	





200	3	1/2-13 S.S. LOCK NUT
109	2	CHAIN
108	3	CABLE CLAMP ASSEMBLY
107	1	7-19 302/304 WIRE ROPE
106	1	ZINC PLATED COPPER COMPRESSION SLEEVE
105	1	WIRE ROPE THIMBLE
104	1	1/2" JAW AND EYE ASSEMBLY
103	3	1/2" EYE BOLT, ZINC PLATED
102	3	WIRE ROPE THIMBLE
101	3	ZINC PLATED COPPER SLEEVE
100	3	7-19 302/304 S.S. WIRE ROPE
01	1	TRANSITION PLATE WELDMENT ASSEMBLY
ITM	QTY	DESCRIPTION

ISSUED FOR APPROVAL

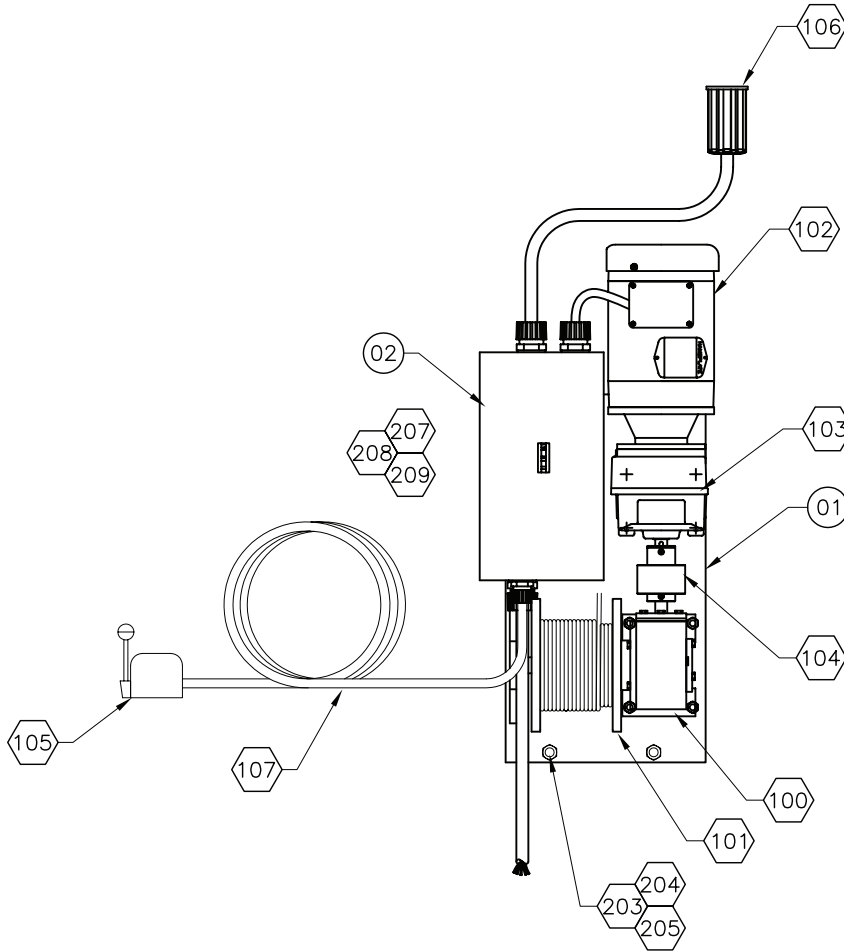
APPROVED: _____

REVISE: _____

SIGNED COPY REQUIRED PRIOR TO MANUFACTURE

SHEET 06	TRANSITION ASSEMBLY	DWG. NO.	427-2-06
		DATE:	09/26/05
		REV. DATE	

CHM
LIGHTING
A Division of CHM Industries
682-286-0046



ISSUED FOR APPROVAL

APPROVED: _____

REVISE: _____

SIGNED COPY REQUIRED PRIOR
TO MANUFACTURE

206	4	1/4" S.S. FLAT WASHER
205	4	1/4-20 S.S. LOCK NUT
204	4	1/4-20 X 1" S.S. HH BOLT
203	6	1/2-13 X 2" S.S. HH BOLT
202	9	1/2" S.S. FLAT WASHER
201	9	1/2-13 S.S LOCK NUT
200	3	1/2-13 X 4" S.S STUD
107	1	25 FT CORD
106	1	MALE CONNECTOR
105	1	DRUM SWITCH
104	1	TORQUE TENDER
103	1	REDUCER
102	1	DRIVE MOTOR
101	1	ROPE SPOOL
100	1	WINCH
02	1	BREAKER BOX ASSEMBLY
01	1	WINCH PLATE
ITM	QTY	DESCRIPTION

SHEET

07

WINCH PLATE ASSEMBLY

DWG. NO.

427-2-07

DATE:

09/26/05

REV. DATE



A Division of CHM Industries
682-286-0046