

CLED2



FEATURES

- » 20kA/10kV Surge Protection
- » Patented 360 degree optic adjustability
- » Scalable Output
- » Standard 0-10V Dimming
- » Silicon Optic Technology
- » Tool-less Driver Housing Access
- » IP66 Construction of Optical and Driver Assembly
- » Zero Up light Rating (U0)
- » 3G Vibration Rating (ANSI C136.31-2001)
- » Designed and Manufactured in Fort Worth, Texas



ORDERING GUIDE

EX: CLED2-04C-GY-4070-T2-A

PRODUCT	OUTPUT	FINISH	CCT/CRI	OPTICS	INPUT VOLTAGE	RECEPTACLE	FUSING	
CLED2								
CLED2 CONDOR LED2	04C 04C	<u>Standard Configuration</u>			T2 TYPE II	A 120V - 277V	BLANK NONE	BLANK NONE
	06C 06C	GY GREY	4070	4000K 70CRI	T3 TYPE III	B 347V - 480V	7P ¹ 7 PIN	F1 1 HOT FUSE
	08C 08C		5070	5000K 70CRI	T4 TYPE IV			F2 2 HOT FUSE
	10C 10C				5W TYPE V WIDE			
	12C 12C	<u>Custom Configuration*</u>						
		DB DARK BRONZE	3070	3000K 70CRI				
		CC CUSTOM						

TUNING

1. Selection requires one of the following accessories: 36021, 36022, 36023, 36001, 36004
 2. FT option allows factory reduction in drive current to meet project specific need. Contact factory for more details
- *Additional costs and lead times may apply. Contact factory for more information*

BLANK NONE
FT² FTXXXX

THIS PRODUCT IS COVERED BY ONE OR MORE OF THE FOLLOWING PATENTS:
9,677,754 / 9,903,581 / 10,234,128 / 10,571,112

ACCESSORIES

24170 CLED2 90° ANODIZED SHIELD	36022 347V PHOTOCELL
24171 CLED2 180° ANODIZED SHIELD	36023 480V PHOTOCELL
24190 CLED2 360° ANODIZED SHIELD	36001 120-480V WILUME TWIST-LOCK CONTROLLER
36021 120-277V PHOTOCELL	36004 120-480V SHORTING CAP

CLED2

SECOND GENERATION LED HIGH MAST LUMINAIRE



DIMENSIONS

LUMEN OUTPUT AT 4000K							
CHIP SET	LUMENS				WATTAGE		AMBIENT RATING
	T2	T3	T4	T5W	120V	480V	
4C	27,642	28,462	27,755	28,316	202	192	50C
6C	41,462	42,692	41,633	42,474	302	287	50C
8C	55,282	56,922	56,633	58,130	402	383	50C
10C	69,103	71,153	70,790	72,659	503	479	50C
12C	82,924	85,384	84,949	86,101	604	575	50C

SOURCE	VOLTAGE	WIND LOADING	WEIGHT (LBS)	DRIVER LIFE (HRS)	LUMEN MAINTENANCE AT 50,000 HRS	LUMEN MAINTENANCE AT 100,000 HRS	L70 AT 25C (CALCULATED)	L70 AT 25C (REPORTED)
LED	120-480	1.42	45	120,000+	0.96	0.95	>1,250,000	>55,000

CCT CORRECTION FACTOR⁴

3000K	0.94
4000K	1.00
5000K	1.00

RATINGS NOTES

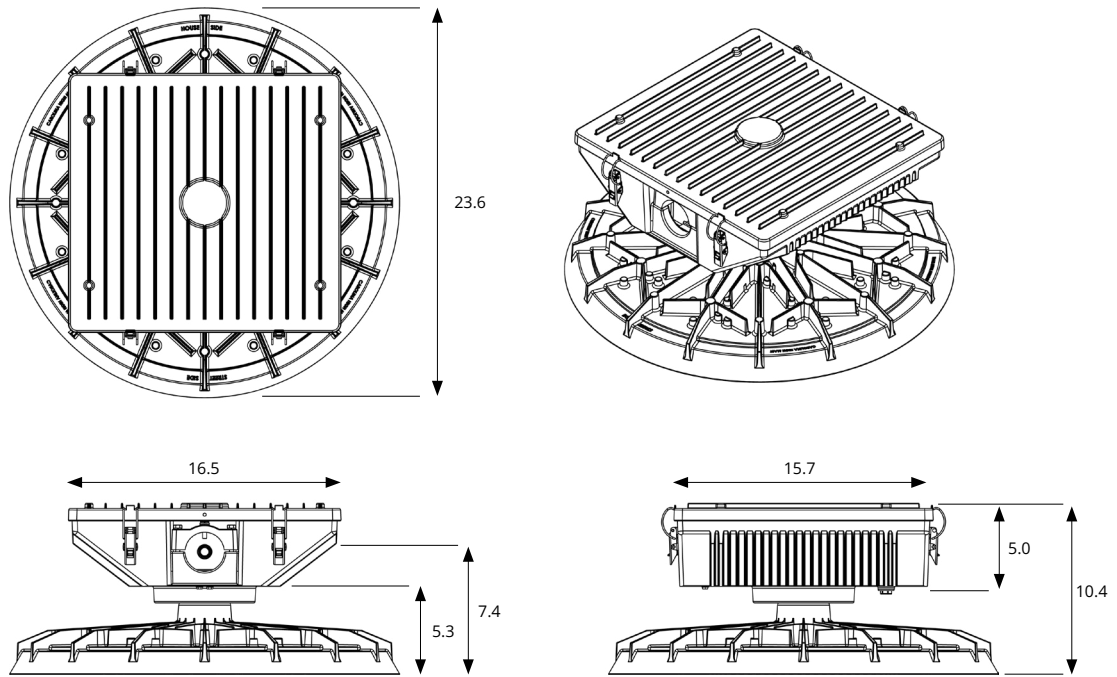
1. Published lumen data guaranteed within the output tolerance of EnergyStar requirements
2. Weight will vary based upon selected options. Tolerance on published weight is +/-10%
3. DLC Listing applies to 4000K, 70CRI options as of January 23rd, 2019. Please check www.designlights.org for the most current listing status of the CLED2

CLED2

SECOND GENERATION LED HIGH MAST LUMINAIRE



DIMENSIONS



SPECIFICATIONS

GENERAL DESCRIPTION

The complete luminaire is ETL/cETL Listed in conformance to standards ANSI/UL1598 and CSA C22.2 No. 250.0 with an ambient temperature rating of -40C to no less than +50C. The luminaire is designed to thermally isolate the driver from the optical housing by a minimum of 3". The driver housing is fabricated of heavy duty die cast aluminum. The luminaire has been tested and certified to conform to Vibration Testing Standard ANSI C136.31-2001, 3G Loading, FCC 47CRF 15:2018 and ICES-005:2015.

HOUSING

To ensure long life of the driver, the housing is thermally isolated from the LED housing. The drivers are mounted to the sides of the housing to provide superior thermal management. The housing utilizes integrally cast cooling fins at the mounting location of the drivers. The housing accepts a standard 2" SCH 40 slip mount tenon and utilizes a heavy duty integrally cast tenon cradle. A heavy duty cast aluminum tenon support bracket is secured by a minimum of four 1/4" stainless steel bolts. The incoming power wire passes through an IP66 rated cable grip to protect against water and dust ingress into the driver housing. The driver housing is IP65 rated. The tenon clamp assembly permits adjustment of fixture level by +/- 5 degrees.

ELECTRICAL SYSTEM

The drivers accept the specified line voltage, to within +/- 10% without the aid of an integral step-down transformer. The drivers include integral transient surge protection in accordance with IEEE C62.41 6kV/6kV. The LED drivers have a minimum power factor of 0.95 with a Total Harmonic Distortion no greater than 20% with inrush current conforming to NEMA 410. The drivers meet FCC part 15 (Class A) Non-Consumer Limits. Drivers come standard with 0-10V dimming leads as well as output tuning. The system includes a secondary surge protection system with supplementary coverage in accordance with IEEE C62.41.2 C High with a maximum discharge current of 20kVA. The unit is provided with (2) LED drivers that power 1/2 of the LED chips in the luminaire ensuring failure of any one driver will not fully extinguish the luminaire.

LED ASSEMBLY

The optical assembly is constructed of optical grade silicon material that will not crack, fade or yellow. The desired lighting distribution is provided by using overlapping optical patterns such that failure of any one LED, complete LED board or driver shall not change the overall photometric distribution. The overall distribution is obtained without the use of external shields or louvers. The LED modules are mounted to a heat sinking housing that provides environmental protection and thermal management of the LEDs. The housing includes integrally cast cooling fins. The LED housing is fully rotatable for precision field aiming with integrally cast identification of house and street side on the LED housing. The LED housing is IP66 rated. The luminaire provides effective illumination to the target area while generating zero up light (U0 rating).

WARRANTY

The entire product shall be covered by a minimum five (5) year limited fixture warranty. Longer warranties are available, contact CHM for additional details.