

CLED3



IP66



FEATURES

- » BABA Compliant
- » 20kA/10kV Surge Protection
- » Patented 360 degree optic adjustability
- » Scalable Output
- » Standard 0-10V Dimming
- » Silicon Optic Technology
- » Tool-less Driver Housing Access
- » IP66 Construction of Optical and Driver Assembly
- » Zero Up light Rating (U0)
- » 3G Vibration Rating (ANSI C136.31-2001)
- » Designed and Manufactured in Fort Worth, Texas



ORDERING GUIDE

| PRODUCT | OUTPUT ³ | FINISH | CCT/CRI | OPTICS | INPUT VOLTAGE | RECEPTACLE | FUSING |
|--------------------|-------------------------------|------------------------------|-------------------------|---|---------------------------------------|--|---|
| CLED3 | | | | | | | |
| CLED3 CONDOR LED 3 | Standard Configuration | | | T2 TYPE II T3 TYPE III T4 TYPE IV 5W TYPE V WIDE | A 120V B 208V - 480V | BLANK NONE 7P¹ 7 PIN | BLANK NONE F1 1 HOT FUSE F2 2 HOT FUSE |
| | 02C 02C | | | | | | |
| | 03C 03C | GY GREY | 4070 4000K 70CRI | | | | |
| | 04C 04C | | | | | | |
| | 05C 05C | | | | | | |
| | 06C 06C | Custom Configuration* | | | | | |
| | 08C 08C | DB DARK BRONZE | 3070 3000K 70CRI | | | | |
| | 10C 10C | CC CUSTOM | 5070 5000K 70CRI | | | | |
| | 12C 12C | | | | | | |

TUNING

BLANK NONE
FT² FTXXXX

1. Selection requires one of the following accessories: 36021, 36022, 36023, 36001, 36004
 2. FT option allows factory reduction in drive current to meet project specific need. Contact factory for more details
**Additional costs and lead times may apply. Contact factory for more information*
 3. Output selection impacts product dimensions; see page 3 for more details
- THIS PRODUCT IS COVERED BY ONE OR MORE OF THE FOLLOWING PATENTS:
9,677,754 / 9,903,581 / 10,234,128 / 10,571,112

ACCESSORIES

| | |
|--|-----------------------------------|
| 36035 208-277V PHOTOCCELL | 24283 90° NUISANCE SHIELD |
| 36036 347-480V PHOTOCCELL | 24284 180° NUISANCE SHIELD |
| 36001 208-480V WILUME TWIST-LOCK CONTROLLER | 24285 360° NUISANCE SHIELD |
| 36004 208-480V SHORTING CAP | |

PERFORMANCE CHARTS

| CHIP SET | WATTAGE (W) | OPTICS | 3000K | | 4000K | | 5000K | |
|----------|-------------|--------|-----------|-----------------|-----------|-----------------|-----------|-----------------|
| | | | FLUX (Lm) | EFFICACY (Lm/W) | FLUX (Lm) | EFFICACY (Lm/W) | FLUX (Lm) | EFFICACY (Lm/W) |
| 02C | 142 | T2 | 20,232 | 142 | 20,501 | 144 | 20,854 | 147 |
| | 142 | T3 | 20,762 | 146 | 21,038 | 148 | 21,685 | 153 |
| | 142 | T4 | 20,263 | 143 | 20,531 | 145 | 21,163 | 149 |
| | 142 | 5W | 21,093 | 149 | 21,373 | 151 | 22,031 | 155 |
| 03C | 213 | T2 | 30,348 | 142 | 30,751 | 144 | 31,282 | 147 |
| | 213 | T3 | 31,143 | 146 | 31,557 | 148 | 32,527 | 153 |
| | 213 | T4 | 30,394 | 143 | 30,797 | 145 | 31,744 | 149 |
| | 213 | 5W | 31,640 | 149 | 32,060 | 151 | 33,046 | 155 |
| 04C | 284 | T2 | 40,464 | 142 | 41,001 | 144 | 41,709 | 147 |
| | 284 | T3 | 41,524 | 146 | 42,075 | 148 | 43,369 | 153 |
| | 284 | T4 | 40,525 | 143 | 41,063 | 145 | 42,326 | 149 |
| | 284 | 5W | 42,187 | 149 | 42,747 | 151 | 44,061 | 155 |
| 05C | 355 | T2 | 50,580 | 142 | 51,251 | 144 | 52,136 | 147 |
| | 355 | T3 | 51,906 | 146 | 52,594 | 148 | 54,212 | 153 |
| | 355 | T4 | 50,657 | 143 | 51,329 | 145 | 52,907 | 149 |
| | 355 | 5W | 52,734 | 149 | 53,433 | 151 | 55,077 | 155 |
| 06C | 426 | T2 | 60,696 | 142 | 61,502 | 144 | 62,563 | 147 |
| | 426 | T3 | 62,287 | 146 | 63,113 | 148 | 65,054 | 153 |
| | 426 | T4 | 60,788 | 143 | 61,594 | 145 | 63,489 | 149 |
| | 426 | 5W | 63,280 | 149 | 64,120 | 151 | 66,092 | 155 |
| 08C | 548 | T2 | 79,568 | 145 | 80,377 | 147 | 81,165 | 148 |
| | 548 | T3 | 82,652 | 151 | 83,492 | 152 | 85,167 | 155 |
| | 548 | T4 | 80,241 | 146 | 81,056 | 148 | 82,683 | 151 |
| | 548 | 5W | 83,515 | 152 | 84,364 | 154 | 86,057 | 157 |
| 10C | 685 | T2 | 99,460 | 145 | 100,471 | 147 | 101,456 | 148 |
| | 685 | T3 | 103,315 | 151 | 104,365 | 152 | 106,459 | 155 |
| | 685 | T4 | 100,301 | 146 | 101,320 | 148 | 103,354 | 151 |
| | 685 | 5W | 104,394 | 152 | 105,455 | 154 | 107,571 | 157 |
| 12C | 822 | T2 | 119,352 | 145 | 120,565 | 147 | 121,747 | 148 |
| | 822 | T3 | 123,977 | 151 | 125,237 | 152 | 127,751 | 155 |
| | 822 | T4 | 120,361 | 146 | 121,585 | 148 | 124,025 | 151 |
| | 822 | 5W | 125,273 | 152 | 126,546 | 154 | 129,085 | 157 |

| CHIP SET | LOADING | | LUMEN MAINTENANCE | | | |
|-----------|-------------|------|-------------------|----------------|--------------------------|------------------------|
| | WEIGHT (LB) | EPA | AT 50,000 HRS | AT 100,000 HRS | L70 AT 25°C (CALCULATED) | L70 AT 25°C (REPORTED) |
| 02C - 06C | 32 | 1.12 | 87% | 75% | 125,000 | >66,000 |
| 08C - 12C | 45 | 1.42 | | | | |

RATINGS NOTES

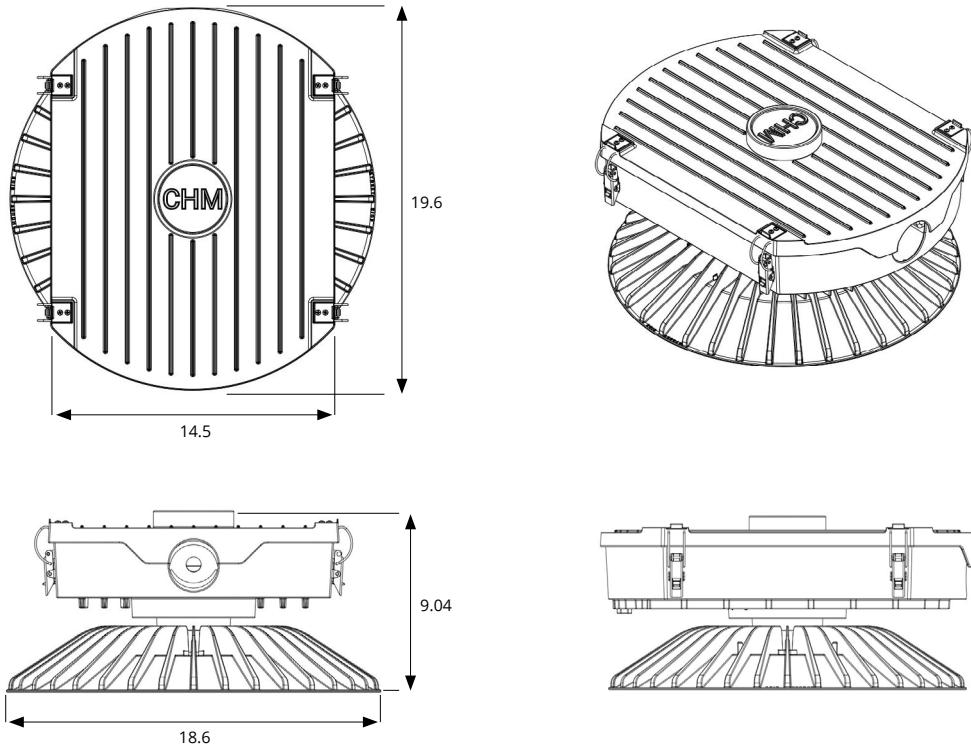
1. Published lumen data guaranteed within the output tolerance of EnergyStar requirements
2. Weight will vary based upon selected options. Tolerance on published weight is +/-10%

CLED3

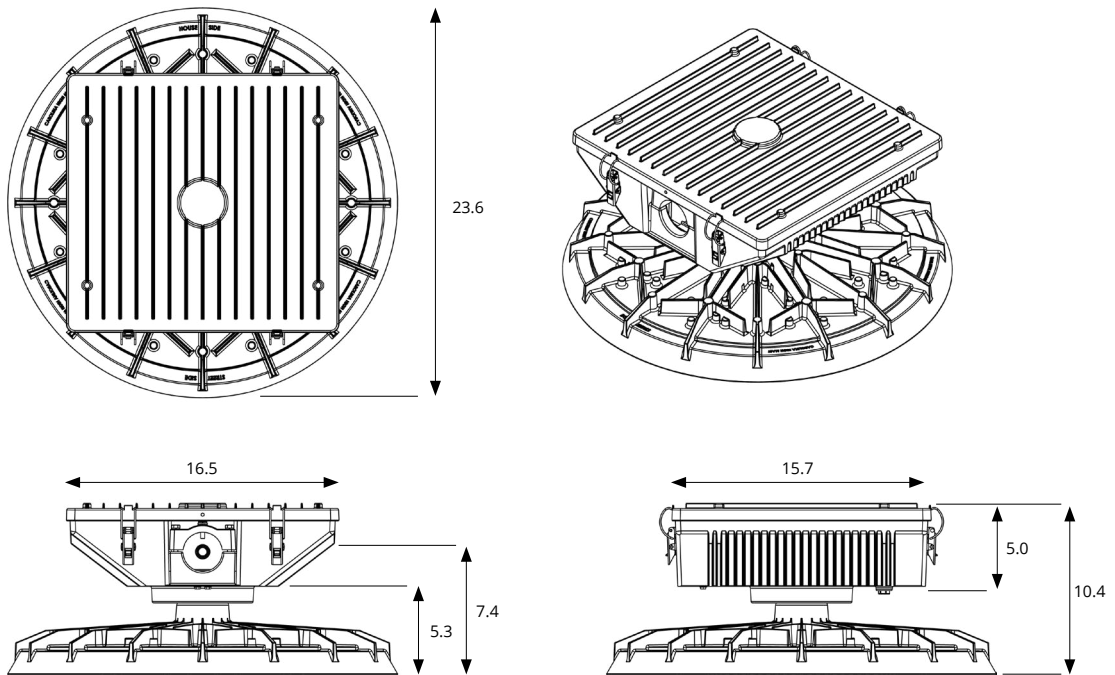
THIRD GENERATION LED HIGH MAST LUMINAIRE

DIMENSIONS

02C - 06C CHIP SET



08C - 12C CHIP SET



CLED3

THIRD GENERATION LED HIGH MAST LUMINAIRE



SPECIFICATIONS

GENERAL DESCRIPTION

The CLED3 LED Luminaire is ETL/cETL listed and complies with ANSI/UL1598 and CSA C22.2 No. 250.0 standards. It is designed to operate efficiently in ambient temperatures ranging from -40°C to +50°C. This luminaire has been rigorously tested for surge immunity according to ANSI C136.2, underwent 3G vibration testing, and meets FCC Title 47 requirements.

HOUSING

To ensure longevity and reliability, the housing features integrally cast cooling fins for effective thermal management of LEDs and drivers. It is compatible with a standard 2" SCH 40 slip mount tenon, allowing for vertical angle adjustments of +/- 5° in 2.5° increments. An IP66-rated cord grip protects incoming power cables against water and dust ingress while providing strain relief.

ELECTRICAL SYSTEM

The CLED3's drivers are designed to accept specified line voltage within +/- 10% without needing a step-down transformer. They include built-in transient surge protection, compliant with IEEE C62.41 (6kV/6kV). With a minimum power factor of 0.95 and total harmonic distortion not exceeding 20%, these drivers conform to NEMA 410 standards. Additionally, the unit meets FCC Part 15 (Class A) non-consumer limits. Standard features include 0-10V dimming leads and output tuning. A secondary surge protection system provides supplementary coverage in line with IEEE C62.41.2 C High, with a maximum discharge current of 20kVA. The system utilizes two LED drivers, ensuring that failure of one driver does not result in complete luminaire failure.

LED ASSEMBLY

The optical assembly is crafted from optical-grade silicon, resistant to cracking, fading, and yellowing. Overlapping optical patterns ensure that the failure of any individual LED, LED board, or driver does not affect overall photometric distribution. This effective lighting distribution is achieved without the need for external shields or louvers. The LED modules are mounted on a heat-sinking housing that ensures environmental protection and thermal management, featuring integrally cast cooling fins. The LED housing is fully rotatable for precise field aiming and is marked for easy identification of house and street sides. The IP66-rated housing provides effective illumination while generating zero uplight (U0 rating).

WARRANTY

The CLED3 LED Luminaire is backed by a minimum five (5) year limited fixture warranty. Extended warranty options are available—please contact CHM for further details.