

ULTASPOT LED 01 FLOOD



FEATURES

LIGHT WEIGHT, HIGH PERFORMANCE AND MODULAR

The USLED01 was designed to provide a direct replacement for 1000W HID flood lighting luminaries. The USLED family of products offer industry leading, diode level glare control that physically block view of each diode and optic to eliminate glare in off axis viewing angles.

- » Standard 0-10v dimming
- » Optional internal glare louvers
- » Integral and remote driver operation modular design to replace up to 1000W hid luminaries
- » 40C ambient rating
- » Marine rated (UL1598A)
- » Superior spill and glare control



ORDERING GUIDE

EX: USLED-01-G-30-70-N-1-GC-D10

PRODUCT	MODULE	FINISH	CCT	CRI	OPTIC	INPUT VOLTAGE	OPTIC HOLDER	DRIVER
USLED	01						GC	
USLED ULTASPOT	01 SINGLE MODULE	G GREY DB DARK BRONZE W WHITE BK BLACK C CUSTOM	30 3000K 40 4000K 50 5000K 57 5700K	70 70 80 80	N NARROW M MEDIUM W WIDE UW ULTRAWIDE	1 120V - 277V 2 347V - 480V R REMOTE	GC GLARE CONTROL	D10 1V - 10V DTO DIM TO OFF R REMOTE
VISOR	RECEPTACLE	FUSING	CONTROL	PRE-WIRE	TUNING			
NONE BLANK TV TOP VISOR FCV FULL CUT OFF VISOR	NONE BLANK PA 3 PIN PB 5 PIN PC 7 PIN	NONE BLANK F1 1 HOT LEG FUSE F2 2 HOT LEG FUSE	NONE BLANK DMX DMX MODULE WIL WILUME WIRELESS CONTROLS	NONE BLANK 3P33 3' OF 16/3 WITH MOLDED 3 PIN CONNECTOR 3P55 3' OF 16/3 WITH MOLDED 5 PIN CONNECTOR 3PX3 3' OF 16/3 3PX5 3' OF 16/5 6PX3 6' OF 16/3 6PX5 6' OF 16/5	NONE BLANK FTXXX FACTORY TUNE			

1. Remote Driver option requires separate driver enclosure to be ordered separate from luminaire. Various options are available for remote driver enclosure, contact factory for additional details.
 2. FT option allows factory reduction in drive current to meet project specific need. Contact factory for more details.

ULTASPOT LED 01 FLOOD

LIGHT WEIGHT, HIGH PERFORMANCE AND MODULAR



DIMENSIONS

DIMENSIONS IN INCHES

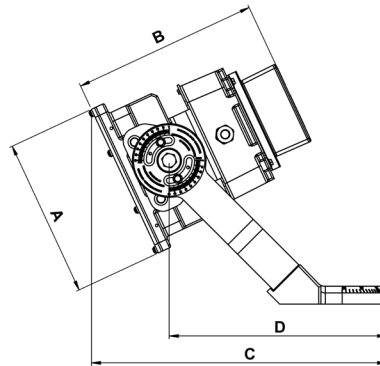
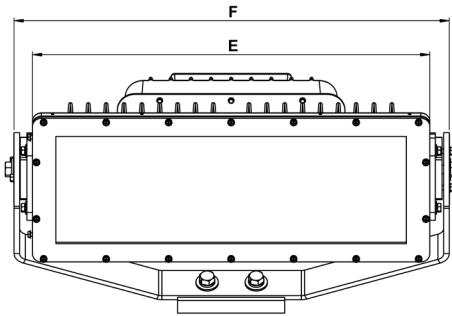
A	8.88	C	16.54
B	10.41	D	12.19
E	22.25	F	24.38

LOADING

DRIVER TYPE	WEIGHT	EPA (HORIZONTAL)	EPA (25R DEGREES DOWN)
Intgral	40	1.6	1.5
Remote	30	1.6	1.5

MAX WATTAGE 320W

VOLTS	AMPS
120	2.7
208	1.5
240	1.3
277	1.2
347	0.9
480	0.7



SPECIFICATIONS

GENERAL INFORMATION

The complete luminaire is ETL/cETL Listed in conformance to standards ANSI/UL1598, ANSI/UL1598A (Supplemental Requirements for Luminaires for Installation on Marine Vessels) and CSA C22.2 No. 250.0 with an ambient temperature of 40C. The luminaire is designed to thermally isolate the driver from the LED housing by a minimum of 2.5". The driver and optical housings shall be fabricated of duty cast aluminum with a minimum wall thickness of 3/16". The fixture is designed to mount to the same provisions as legacy style HID luminaires with a 3/4" through bolt. The complete luminaire assembly is IP65 rated.

HOUSING

To ensure long life of the drivers, the driver housing is thermally isolated from the LED housing. To increase cooling efficiency, the housing utilizes integrally cast cooling fins. The housing mounts to the support structure with a heavy gauge steel trunion. The trunion has methods to aim the fixture both horizontally and vertically and includes a position memory device to ensure the fixture is returned to the proper down angle upon service. Each LED module supports up to 300W of lighting capacity. The module is available for use in both integral driver and remote driver configuration.

The housings shall be constructed of 363F aluminum and shall be melted and manufactured in the USA.

ELECTRICAL SYSTEMS

The drivers accept the specified line voltage, to within +/- 10% without the aid of an integral step down transformer. The drivers include integral transient surge protection in accordance with IEEE C62.41 6kV/6kV. The LED drivers have a minimum power factor of 0.95 with a Total Harmonic Distortion no greater than 20% with inrush current conforming to NEMA 410. The drivers meet FCC part 15 (Class A) Non Consumer Limits. Drivers come standard with 0-10V dimming leads as well as output tuning. The system includes a secondary surge protection system with supplementary coverage in accordance with IEEE C62.41.2 C High (10kA and 10kV). The secondary surge protection is capable of suppressing a maximum of (1) 20,000 A pulse or (120) 3,000A pulses (8x20 microsecond). The light emitting system is comprised of two (2) thermally isolated LED boards per module each with a dedicated driver to provide overall system redundancy and ease of troubleshooting.

OPTIC ASSEMBLY

Each LED is provided with a dedicated precision cast optical constructed of PMMA. The optical array is held in an optical tray to ensure precision location of each optic and provide superior vibration stability. Each optic tray includes integrally cast glare control ribs to provide reduction in view of optical flashed area in off axis viewing angles. The LEDs generate the specified color temperature with a tolerance of no more than +/- 6.5% to ensure consistent color across the project. 70 CRI units are provided with a minimum single 5-step MacAdam Ellipse and 80 and 85CRI units offer a minimum single 3-step MacAdam Ellipse. All CRI offerings are stated as minimum, typical CRI will be higher or equal to published minimum.

SERVICEABILITY

The system is designed to ensure easy and quick field service. Each LED board is replaceable in the field and utilize 'poke-in' style connector. Any (1) module can be completely removed from the system without adjusting the aiming angle or removing the complete luminaire. Drivers are widely available F-Can style 150W driver that are non-proprietary and field proven with approved replacement units available from at least two manufacturers. The LED boards are single circuit in design so that failure of one diode extinguishes the entire board (two boards per module). This provides a visible indication of trouble with failure originating from either driver or board, both of which are easily replaceable in the field.

WARRANTY

The entire product shall be covered by a minimum five (5) year limited fixture warranty. Longer term warranties are available, contact CHM for additional details.

ULTASPOT LED 01 FLOOD

LIGHT WEIGHT, HIGH PERFORMANCE AND MODULAR



OUTPUT TABLES

OUTPUT TABLE

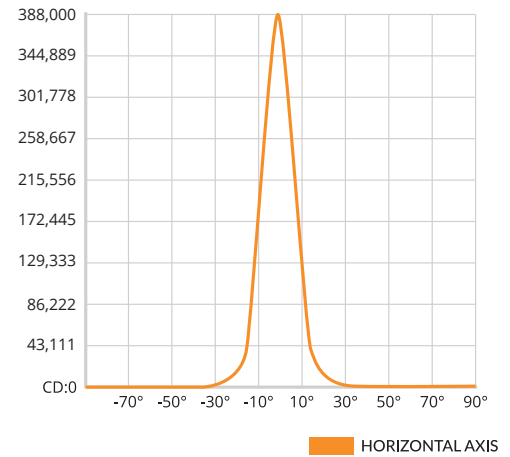
CCT	CRI	DISTRIBUTION	LUMENS	BEAM	FIELD	NEMA	LPW
4000	70	N	32685	15	30	2X2	102
4000	70	M	30894	20	41	3X3	97
4000	70	W	31094	31	55	4X4	97
4000	70	UW	30325	55	80	5X5	95

LUMEN OUTPUT CORRECTION FACTOR

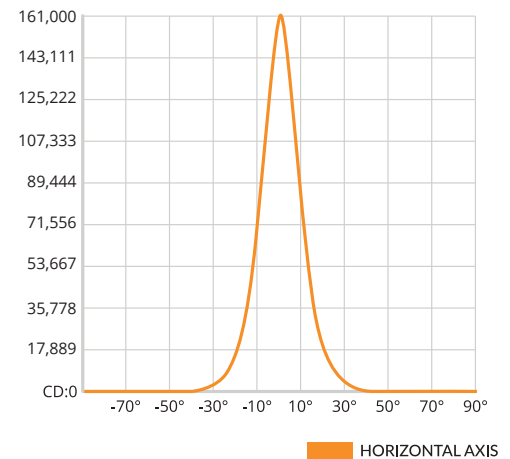
CCT	CRI	LOCF
3000	70	0.950
3000	80	0.900
4000	70	1.000
4000	80	0.950
5000	70	1.000
5000	80	0.950
5700	70	1.013
5700	80	0.950

CANDELA PLOTS

NARROW



MEDIUM



WIDE

