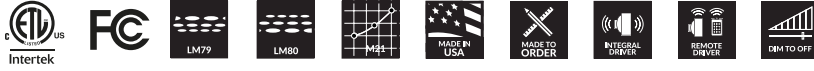


USLED2 DOUBLE MODULE



FEATURES

The USLED2 is a robust LED floodlight with a wide range of optical distributions that feature industry leading, diode-level glare control. USLED2 is designed to provide a direct replacement for retrofit 1500W HID applications in addition to new construction. USLED2 is proudly designed and manufactured in Texas, USA.

- » Light Weight, High Performance and Modular
- » Standard Dim to Off Drivers
- » Standard Dali-2 D4i Drivers
- » Available 0-10V Dimming
- » Standard Internal Glare Control
- » Integral or Remote Driver Operation
- » Designed to Replace Up to 1500W HID Luminaires
- » -40°C to 40°C Ambient Rating
- » Excellent Optical Control for Limiting Spill and Glare
- » Available Top Visor



ORDERING GUIDE

PRODUCT	MODULE	FINISH	CCT/CRI	OPTIC	INPUT VOLTAGE	DRIVER	GLARE CONTROL
USLED2	D						GC
USLED2	ULTASPOT 2 D	DOUBLE MODULE	<u>Standard Configuration</u>	NS NARROW MS MEDIUM WS WIDE UW ULTRAWIDE C1 CUT OFF NARROW C2 CUT OFF MEDIUM C3 CUT OFF WIDE AP APRON	A 120 - 240V B 277 - 480V	I INTEGRAL R REMOTE	GC INTERNAL GLARE CONTROL
		GY GREY	5070 5000K 70CRI				
		<u>Custom Configuration*</u>					
		DB DARK BRONZE	3070 3000K 70CRI 4070 4000K 70CRI 5780 5700K 80CRI				
DIMMING	RECEPTACLE	CONTROL	FUSING	PRE-WIRE	TUNING		
D4i DALI-2 D4i	BLANK NONE	<u>Standard Configuration</u>	BLANK NONE	BLANK NONE	BLANK NONE	BLANK NONE	
DTO 0-10V	7P1 7-PIN	BLANK NONE	F1 1 HOT LEG FUSE	3T3P 3' TAIL OF 16/3 CABLE WITH 3-PIN PLUG	FTXXXX2 FACTORY TUNE		
	ZG ZHAGA NODE	WIL WILUME WIRELESS CONTROLS	F2 2 HOT LEG FUSE	3T5P 3' TAIL OF 16/5 CABLE WITH 5-PIN PLUG			
		<u>Custom Configuration*</u>		6T3X 6' TAIL OF 16/3 CABLE			
		DMX DMX MODULE		6T5X 6' TAIL OF 16/5 CABLE			

1. Selection requires one of the following accessories: 36021, 36022, 36023, 36001, 36004
 2. FT option allows factory reduction in drive current to meet project specific need. Contact factory for more details
 *Additional costs and lead times may apply. Contact factory for more information

ACCESSORIES

19013 6' SS SAFETY CABLE	36022 347V PHOTOCELL	36004 120-480V SHORTING CAP
24248 USLED2 DOUBLE MODULE TOP VISOR	36023 480V PHOTOCELL	81098 GALVANIZED SLIP FITTER FOR 2" PIPE
36021 120-277V PHOTOCELL	36001 120-480V WILUME TWIST-LOCK CONTROLLER	

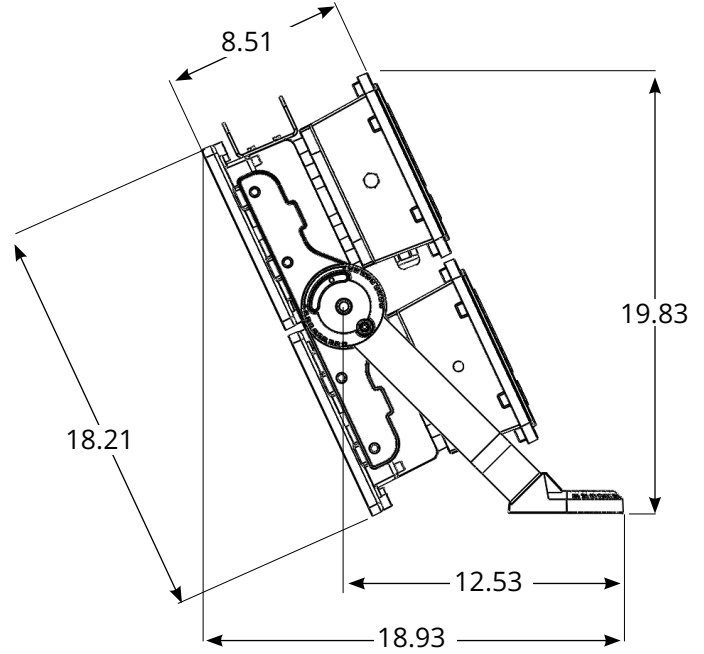
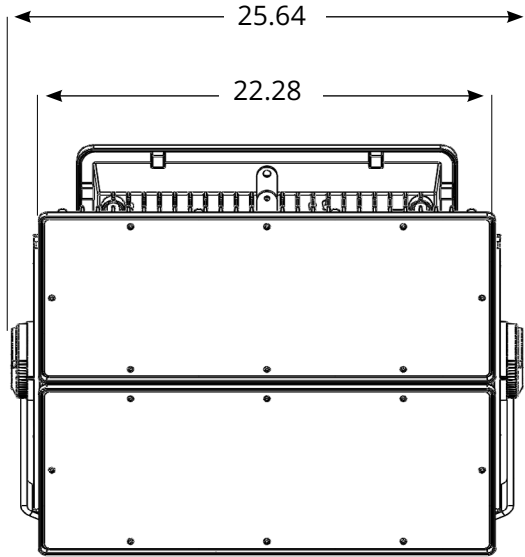
SPECIFICATIONS AND DETAILS ARE SUBJECT TO CHANGE WITHOUT NOTIFICATION.
 CONTACT CHM LIGHTING FOR UP TO DATE DETAILS. CHM LIGHTING IS A DIVISION OF CHM INDUSTRIES, INC.

USLED2 DOUBLE MODULE

LIGHT WEIGHT, HIGH PERFORMANCE AND MODULAR



DIMENSIONS



OUTPUT (5000K, 70CRI)	
DISTRIBUTION	LUMENS
NS	75,726
MS	69,520
WS	74,306
UW	64,966
AP	67,358
C1	74,178
C2	76,928
C3	75,012

MAX WATTAGE: 640W	
VOLTS	AMPS
120	5.3
208	3.1
240	2.7
277	2.3
347	1.8
480	1.3

LUMEN OUTPUT CORRECTION FACTOR	
CCT/CRI	LOCF
3070	0.890
4070	0.927
5780	0.932

LOADING			
DRIVER TYPE	MODULE COUNT	WEIGHT (lb)	EPA @ 25°
Integral	02	72	3.7
Remote	02	57	3.3

LUMEN MAINTENANCE FACTORS				
@ 25,000 HRS	@ 50,000 HRS	@ 100,000 HRS	L70 @ 25C (CALCULATED)	L70 @ 25C (REPORTED)
99.04%	97.06%	93.20%	452,500	>102,000

USLED2 DOUBLE MODULE

LIGHT WEIGHT, HIGH PERFORMANCE AND MODULAR



SPECIFICATIONS

GENERAL

The complete luminaire is ETL/cETL listed in conformance to standards ANSI/UL1598 and CSA C22.2 No. 250.0 with an ambient temperature rating of -40°C to 40°C. CHM Lighting is proud to declare that all engineering and manufacturing is done in Texas, USA.

MECHANICAL

To ensure long life of the drivers, the driver housing is thermally isolated from the LED housing. To increase cooling efficiency, the housing utilizes integrally cast cooling fins. The housing mounts to the support structure with a heavy gauge anodized aluminum trunion. The luminaire has integrally cast indicators for aiming in the horizontal and vertical directions. Each LED module supports up to 320W of lighting capacity. The module is available for use in both integral driver and remote driver configuration.

ELECTRICAL

The LED drivers are Class P and UL 8750. They accept the specified line voltage, to within +/-10% without the aid of an integral step-down transformer. The drivers include integral transient surge protection in accordance with IEEE C62.41 6kV/6kV. The LED drivers have a minimum power factor of 0.95 with a Total Harmonic Distortion no greater than 20% with inrush current conforming to NEMA 410. The drivers meet FCC part 15 (Class A) Non-Consumer Limits. Drivers come standard with DALI-2 D4i Dimming leads as well as output tuning. For high voltage range applications, drivers come standard with supplemental protection against catastrophic dropped-neutral events. The system includes a secondary surge protection system with supplementary coverage in accordance with IEEE C62.41.2 C High (10kA and 10kV). The secondary surge protection can suppress a maximum of (1) 20,000 A pulse or (120) 3,000A pulses (8x20 microsecond).

OPTICAL

Optics are constructed of a precision cast PMMA. The optical array is fastened to the LED module to ensure precision location of each optic and provide superior vibration stability. The luminaire includes internal glare control, regardless of optical distribution. The LEDs generate the specified color temperature with a tolerance of no more than +/- 6.5% to ensure consistent color across the project. All CRI offerings are stated as minimum, typical CRI will be higher or equal to published minimum. LED housing is enclosed by 4mm tempered glass with gasket on glass technology and utilizes two high-flow IP66 breathers to allow pressure stabilization and eliminate contaminants and/or humidity from the enclosure.

SERVICEABILITY

The system is designed to ensure easy and quick field service. Each LED board is replaceable in the field and utilize 'poke-in' style connector. Any (1) module can be completely removed from the system without adjusting the aiming angle or removing the complete luminaire. Drivers are widely available Class P 180W drivers that are non-proprietary, and field proven with approved replacement units available from at least two manufacturers.

WARRANTY

The entire product shall be covered by a minimum five (5) year limited fixture warranty. Longer term warranties are available, contact CHM for additional details.