

USLED2 SINGLE MODULE



FEATURES

The USLED2 is a robust LED floodlight with a wide range of optical distributions that feature industry leading, diode-level glare control. USLED2 is designed to provide a direct replacement for retrofit 1000W HID applications in addition to new construction. USLED2 is proudly designed and manufactured in Texas, USA.

- » BABA Compliant
- » Light Weight, High Performance and Modular
- » Standard Dim to Off Drivers
- » Standard Dali-2 D4i Drivers
- » Available 0-10V Dimming
- » Standard Internal Glare Control
- » Integral or Remote Driver Operation
- » Designed to Replace Up to 1000W HID Luminaires
- » -40°C to 40°C Ambient Rating
- » Excellent Optical Control for Limiting Spill and Glare
- » Available Full Cut-Off Visor Meeting U0



ORDERING GUIDE

PRODUCT	MODULE	FINISH	CCT/CRI	OPTIC	INPUT VOLTAGE	DRIVER	GLARE CONTROL
USLED2	S						GC
USLED2	ULTASPOT 2 S	SINGLE MODULE	<u>Standard Configuration</u>	NS NARROW MS MEDIUM WS WIDE UW ULTRAWIDE C1 CUT OFF NARROW C2 CUT OFF MEDIUM C3 CUT OFF WIDE AP APRON	A 120 - 240V B 277 - 480V	I INTEGRAL R REMOTE	GC INTERNAL GLARE CONTROL
		GY GREY	5070 5000K 70CRI				
		<u>Custom Configuration*</u>					
		DB DARK BRONZE	3070 3000K 70CRI 4070 4000K 70CRI 5780 5700K 80CRI				
DIMMING	RECEPTACLE	CONTROL	FUSING	PRE-WIRE	TUNING		
D4i DALI-2 D4i	BLANK NONE	<u>Standard Configuration</u>	BLANK NONE	BLANK NONE	BLANK NONE	BLANK NONE	NONE
DT0 0-10V	7P1 7-PIN ZG ZHAGA NODE	BLANK NONE WIL WILUME WIRELESS CONTROLS	F1 1 HOT LEG FUSE F2 2 HOT LEG FUSE	3T3P 3' TAIL OF 16/3 CABLE WITH 3-PIN PLUG 3T5P 3' TAIL OF 16/5 CABLE WITH 5-PIN PLUG 6T3X 6' TAIL OF 16/3 CABLE 6T5X 6' TAIL OF 16/5 CABLE	FTXXXX2 FACTORY TUNE		
		<u>Custom Configuration*</u>					
		DMX DMX MODULE					

1. Selection requires one of the following accessories: 36021, 36022, 36023, 36001, 36004
 2. FT option allows factory reduction in drive current to meet project specific need. Contact factory for more details
 *Additional costs and lead times may apply. Contact factory for more information

ACCESSORIES

19013 6' SS SAFETY CABLE	36036 347-480V PHOTOCELL	81098 GALVANIZED SLIP FITTER FOR 2" PIPE
24238 USLED2 ANODIZED FULL CUT-OFF VISOR	36001 120-480V WILUME TWIST-LOCK CONTROLLER	
36035 120-277V PHOTOCELL	36004 120-480V SHORTING CAP	

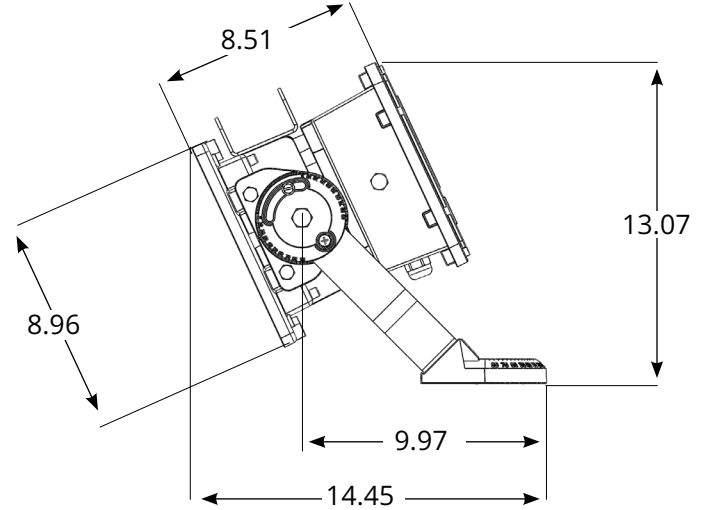
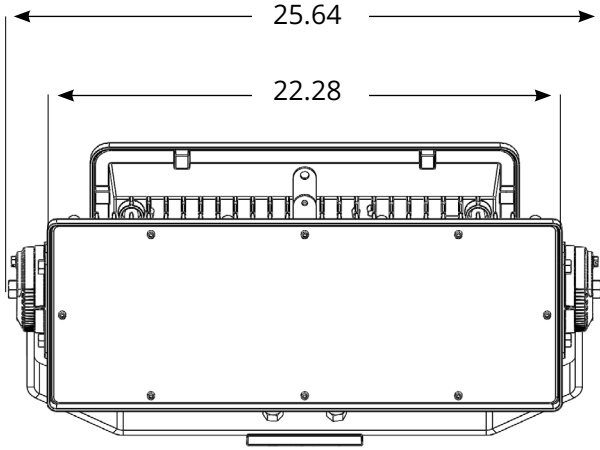
SPECIFICATIONS AND DETAILS ARE SUBJECT TO CHANGE WITHOUT NOTIFICATION. CONTACT CHM LIGHTING FOR UP TO DATE DETAILS. CHM LIGHTING IS A DIVISION OF CHM INDUSTRIES, INC.

USLED2 SINGLE MODULE

LIGHT WEIGHT, HIGH PERFORMANCE AND MODULAR



DIMENSIONS



OUTPUT (5000K, 70CRI)	
DISTRIBUTION	LUMENS
NS	45,427
MS	40,954
WS	43,524
UW	37,956
AP	40,087
C1	44,471
C2	45,251
C3	44,091

WATTAGE: 370W	
VOLTS	AMPS
120	3.1
208	1.8
240	1.5
277	1.3
347	1.1
480	0.8

LUMEN OUTPUT CORRECTION FACTOR	
CCT/CRI	LOCF
3070	0.95
4070	1.02
5780	0.94

LOADING			
DRIVER TYPE	MODULE COUNT	WEIGHT (lb)	EPA @ 25°
Integral	01	37	2.3
Remote	01	27	1.9

LUMEN MAINTENANCE FACTORS				
@ 25,000 HRS	@ 50,000 HRS	@ 100,000 HRS	L70 @ 25C (CALCULATED)	L70 @ 25C (REPORTED)
99.04%	97.06%	93.20%	452,500	>102,000

USLED2 SINGLE MODULE

LIGHT WEIGHT, HIGH PERFORMANCE AND MODULAR



SPECIFICATIONS

GENERAL

The complete luminaire is ETL/cETL listed in conformance to standards ANSI/UL1598 and CSA C22.2 No. 250.0 with an ambient temperature rating of -40°C to 40°C. CHM Lighting is proud to declare that all engineering and manufacturing is done in Texas, USA.

MECHANICAL

To ensure long life of the drivers, the driver housing is thermally isolated from the LED housing. To increase cooling efficiency, the housing utilizes integrally cast cooling fins. The housing mounts to the support structure with a heavy gauge anodized aluminum trunion. The luminaire has integrally cast indicators for aiming in the horizontal and vertical directions. Each LED module supports up to 320W of lighting capacity. The module is available for use in both integral driver and remote driver configuration.

ELECTRICAL

The LED drivers are Class P and UL 8750. They accept the specified line voltage, to within +/-10% without the aid of an integral step-down transformer. The drivers include integral transient surge protection in accordance with IEEE C62.41 6kV/6kV. The LED drivers have a minimum power factor of 0.95 with a Total Harmonic Distortion no greater than 20% with inrush current conforming to NEMA 410. The drivers meet FCC part 15 (Class A) Non-Consumer Limits. Drivers come standard with DALI-2 D4i Dimming leads as well as output tuning. For high voltage range applications, drivers come standard with supplemental protection against catastrophic dropped-neutral events. The system includes a secondary surge protection system with supplementary coverage in accordance with IEEE C62.41.2 C High (10kA and 10kV). The secondary surge protection can suppress a maximum of (1) 20,000 A pulse or (120) 3,000A pulses (8x20 microsecond).

OPTICAL

Optics are constructed of a precision cast PMMA. The optical array is fastened to the LED module to ensure precision location of each optic and provide superior vibration stability. The luminaire includes internal glare control, regardless of optical distribution. The LEDs generate the specified color temperature with a tolerance of no more than +/- 6.5% to ensure consistent color across the project. All CRI offerings are stated as minimum, typical CRI will be higher or equal to published minimum. LED housing is enclosed by 4mm tempered glass with gasket on glass technology and utilizes two high-flow IP66 breathers to allow pressure stabilization and eliminate contaminants and/or humidity from the enclosure. Selection of the full cut-off visor eliminates obtrusive up light and results in a U0 rating with a down angle of 25° or greater.

SERVICEABILITY

The system is designed to ensure easy and quick field service. Each LED board is replaceable in the field and utilize 'poke-in' style connector. Any (1) module can be completely removed from the system without adjusting the aiming angle or removing the complete luminaire. Drivers are widely available Class P 180W drivers that are non-proprietary, and field proven with approved replacement units available from at least two manufacturers.

WARRANTY

The entire product shall be covered by a minimum five (5) year limited fixture warranty. Longer term warranties are available, contact CHM for additional details.